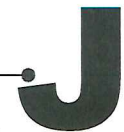
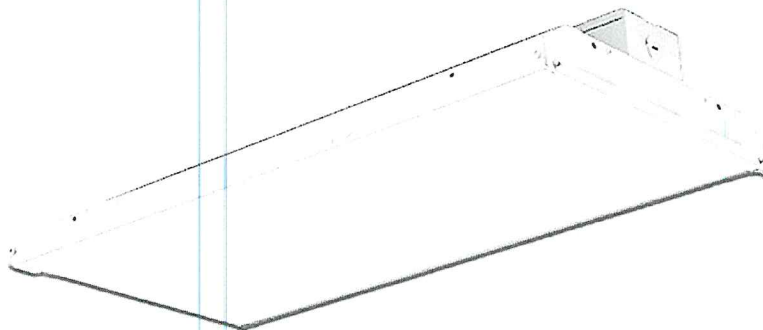


LED MAGIC HIGH BAY

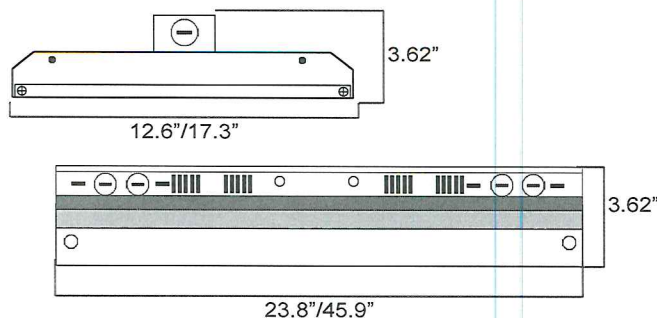
Linear High Bay



The LED Magic High Bay is a brand-new replacement solution for fluorescent linear high bays in warehouses, garage locations and any other commercial and industrial applications.



DIMENSIONS



CERTIFICATIONS



FEATURES

- Quick installation in under five minutes
- Comes with two V-hooks and two chains
- 0-10V dimmable driver
- Multiple mounting options
- Suitable for damp locations
- Minimize labor and recycling costs
- Ease of installation and maintenance
- Glass-free
- 5 Year Manufacturer's Warranty
- Occupancy sensor and Emergency Battery options available
- **Accessories can be purchased separately (Wire Guard, Frosted lens, Pendant Hanger, Suspension hanging kits)**

COMMON TECHNICAL DATA

| | |
|-----------------------|---------------------------------|
| Color Temperature | 3000K to 5000K |
| Beam Angle | 120 Degrees |
| CRI | > 80 |
| Operation Temperature | -30°C to 40°C |
| Efficiency | More than 130 LPW |
| Input Voltage | 100-277VAC, *200-480V Available |
| Input Frequency | 50/60Hz |
| Power Factor | More than 0.99 |
| Rated Life | 50,000 hours |
| LED Type | SMD 2835 |
| Housing | Aluminum |
| Dimming | 0-10V |

WARRANTY

This product has a warranty for a period of 5 years from the date of purchase. The warranty is invalid in the case of improper installation, tampering, or removal of the Q.C. date label. Installation in an improper working environment or installation not according to the current edition of the National Electric Code also invalidates the warranty. Should this product fail during the warranty period, it will be replaced free of charge, subject to correct installation and return of the faulty unit. James® does not accept responsibility for any installation costs associated with the replacement of this product. This warranty is in addition to the statutory rights in the country of purchase. James® reserves the right to alter specifications without prior notice.

Contact: Cady Liu Office: (561)430-9251 Mobile: (973)960-1877
Email: Cady@jamesindustry.com www.jamesindustry.com

LED MAGIC HIGH BAY

Linear High Bay



PRODUCT SPECIFICATION

| Product Number | Length (FT) | Wattage | Color | Lumens | Dimmable | Input Voltage |
|----------------|-------------|---------|-------------|--------|----------|-----------------------|
| ZY-H2-80W XDZ | 2FT | 80W | 3000K-5000K | 11,121 | 0-10V | AC100-277V / 200-480V |
| ZY-H2-110W XDZ | 2FT | 110W | 3000K-5000K | 16,406 | 0-10V | AC100-277V / 200-480V |
| ZY-H3-165W XDZ | 4FT | 165W | 3000K-5000K | 24,563 | 0-10V | AC100-277V / 200-480V |
| ZY-H5-165W XDZ | 2FT | 165W | 3000K-5000K | 24,563 | 0-10V | AC100-277V / 200-480V |
| ZY-H3-225W XDZ | 4FT | 225W | 3000K-5000K | 32,000 | 0-10V | AC100-277V / 200-480V |
| ZY-H6-325W XDZ | 4FT | 325W | 3000K-5000K | 46,361 | 0-10V | AC100-277V / 200-480V |

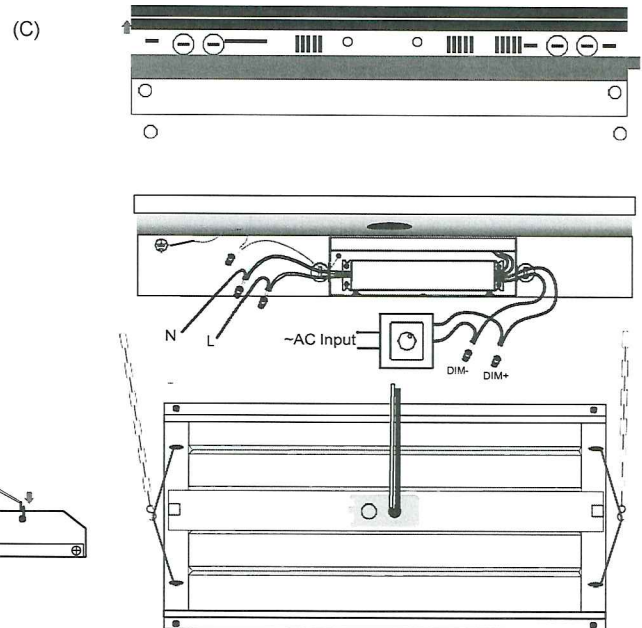
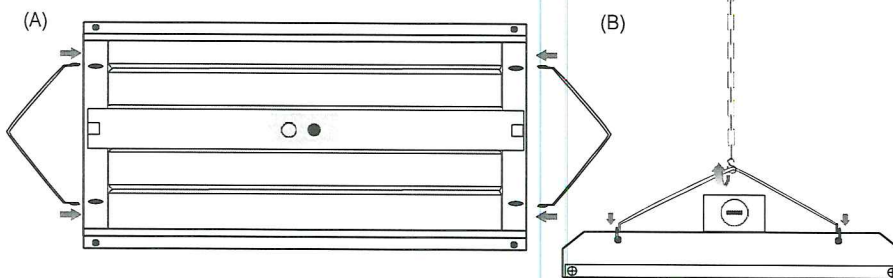
ORDERING GUIDE

| | | | | |
|--------------------|------------------------------|-----------------------------------|-----------------|--------------------|
| ZY Company Code | H2,H3,H5,H6 High Bay Size | 80/110W/165W/225W/325W Wattage | XDZ Dimmable | 3000K-5000K CCT |
|--------------------|------------------------------|-----------------------------------|-----------------|--------------------|

INSTALLATION INSTRUCTIONS

Mounting Procedure:

1. Turn OFF power at the breaker panel before installation.
2. Hook the V-hooks into the dedicated slots on both ends of fixture (A) and secure the chains (B).
3. Mount the fixture by hanging and adjust height.
4. Open the terminal box and connect the AC wires and/or dimming wires (C).
5. Secure close terminal box.
6. Switch ON power to the fixture at the breaker panel.



CAUTION

- Risk of fire- do not install this lamp in a pre-heated luminaire.
- Risk of electric shock- make installation with gloves.
- All wiring to be performed per National Electrical Code and local code by a qualified electrician.
- These lamps are to be used with a light dimmer.
- High temperatures inside luminaire. Make certain line voltage corresponds with ballast's primary voltage.
- If the lamp or luminaire exhibits undesirable operation (i.e. buzzing, flickering, etc.), immediately turn off power and remove the lamp from luminaire and contact manufacturer.
- Do not make mass installation before sample testing.