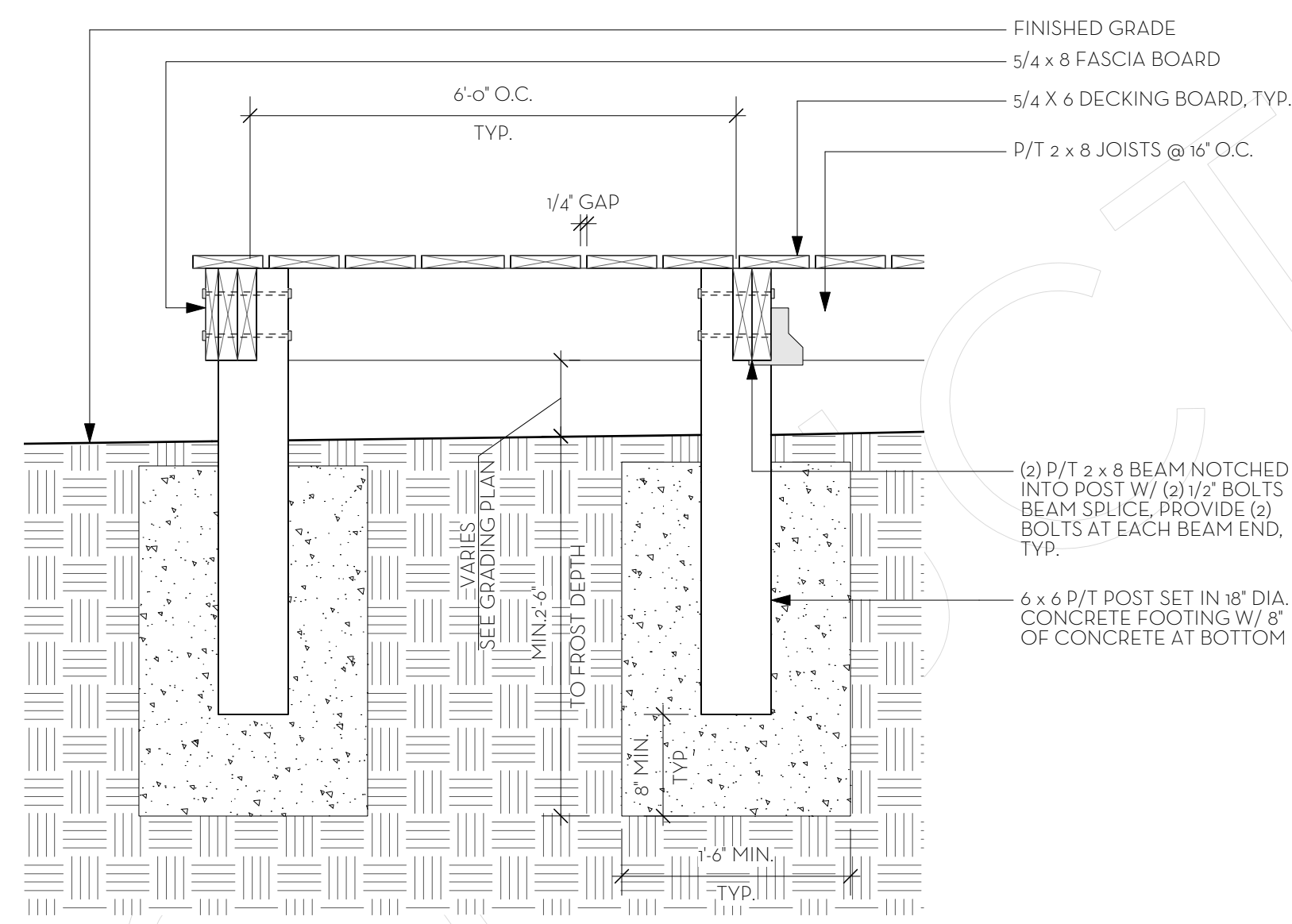
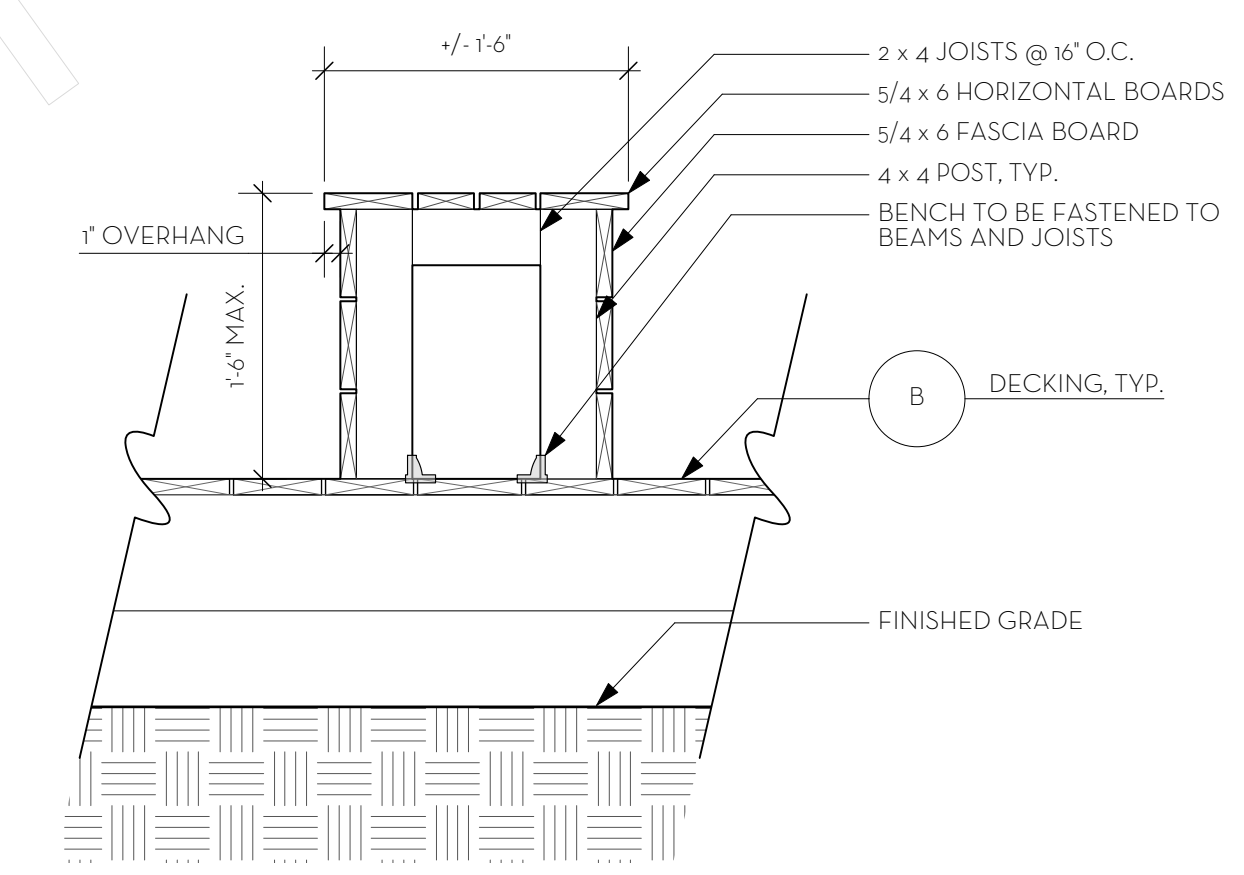


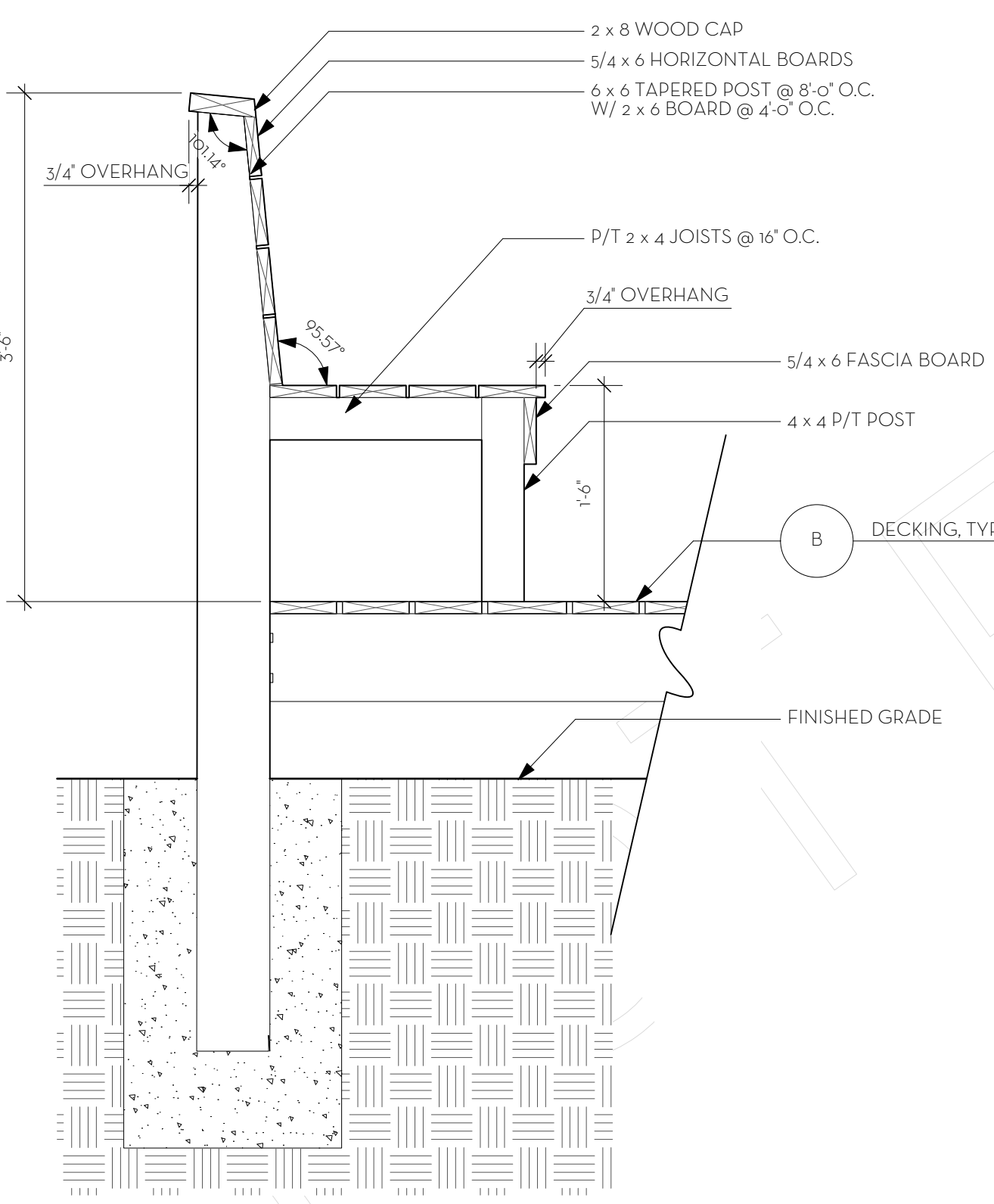
A DECK - PLAN VIEW
Scale: 1/4" = 1'-0"



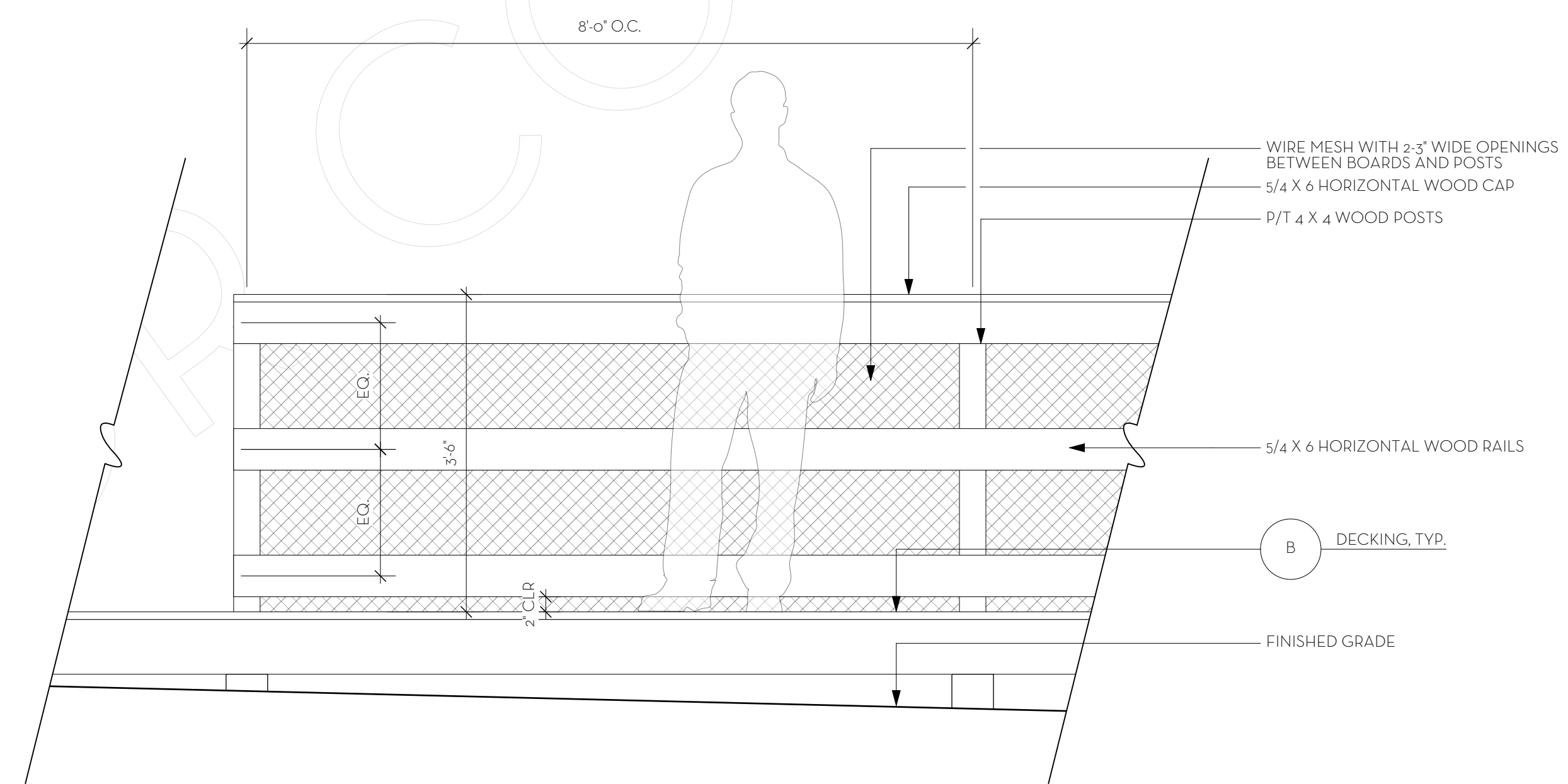
B DECKING, TYP.
Scale: 1" = 1'-0"



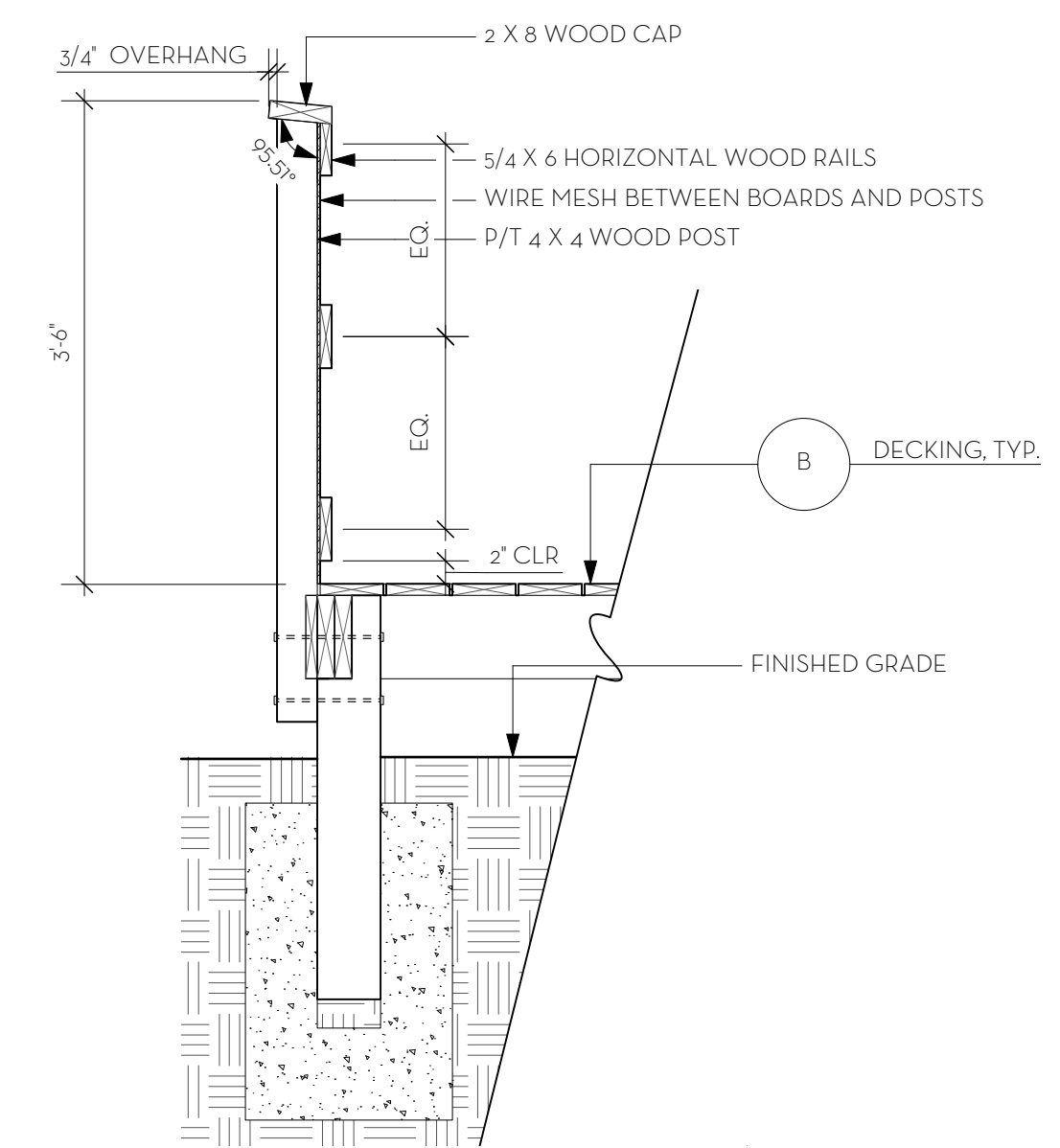
C BENCH - CONDITION I
Scale: 1" = 1'-0"



D BENCH - CONDITION II
Scale: 1" = 1'-0"



E DECK RAILING, TYP.
Scale: 3/4" = 1'-0"



SECTION

If this drawing is not 24" x 36", it is a reduced print, and notations of scale no longer apply.
If this drawing is 12" x 18", it is a 50% reduced print, and scaled dimensions need to be multiplied by a factor of 2.

Consultants:

This drawing and the design shown hereon are the property of Campion Hruby Landscape Architects. The reproduction, copying or use of this drawing without written consent is prohibited and any infringement will be subject to legal action.

Project #:

ST. JOHN
THE
EVANGELIST

14 JANUARY 2021

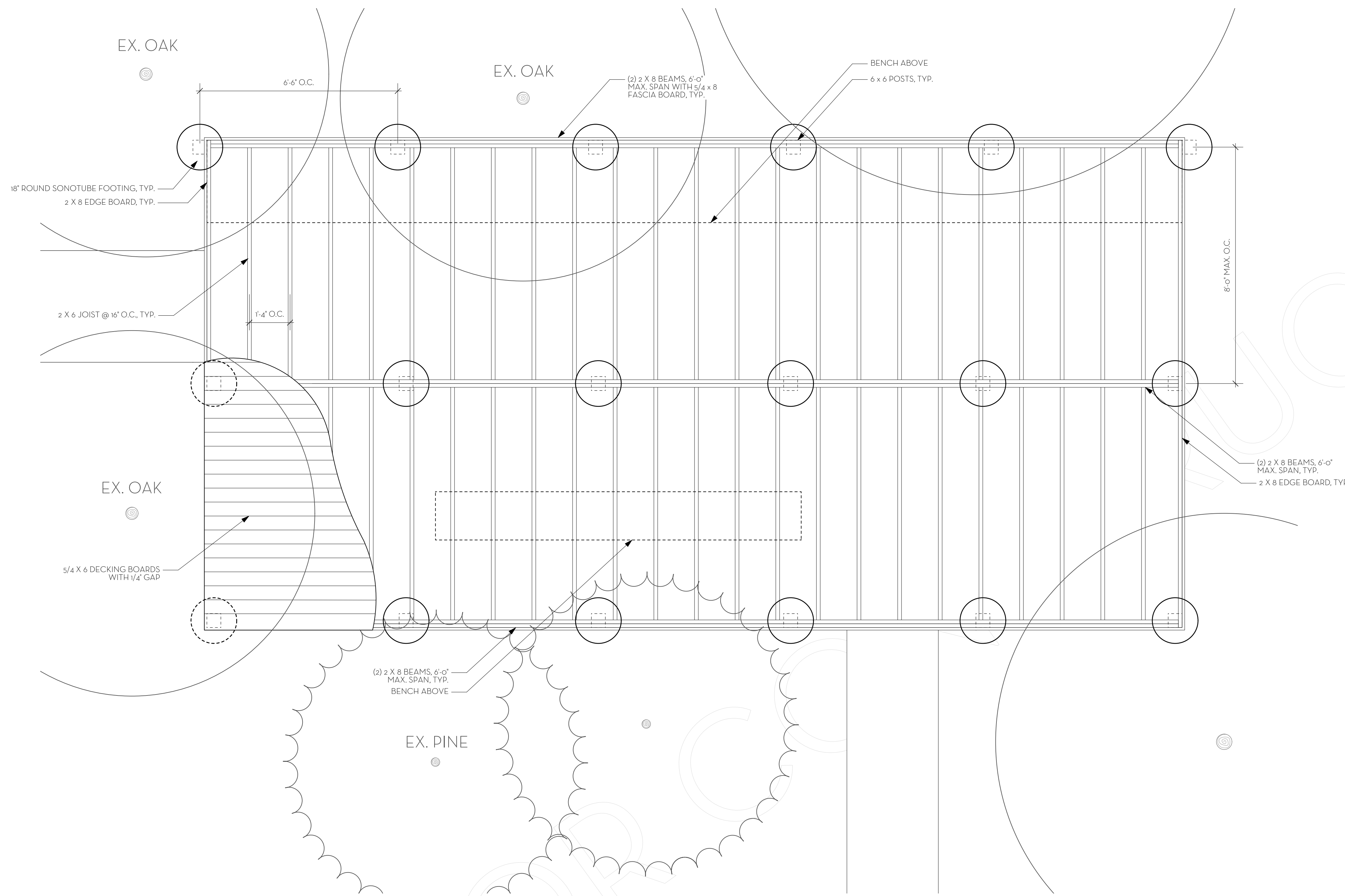
100% PRICING SET - NOT
FOR CONSTRUCTION

No.	Date	Description

Drawn By: JJ Proj. Manager: FAM
Approved By: KC

Scale: AS SHOWN

HARDSCAPE
DETAILS - WOOD



A DECKING & FRAMING PLAN
Scale: 1/2" = 1'-0"

If this drawing is not 24" x 36", it is a reduced print, and notations of scale no longer apply.
If this drawing is 12" x 18", it is a 50% reduced print, and scaled dimensions need to be multiplied by a factor of 2.

CHLA

CAMPION/HRUBY

111 Cathedral Street, Suite 100 | Annapolis, MD 21401

O: 410.280.8850 campionhruby.com

Consultants:

This drawing and the design shown hereon are the property of Campion Hruby Landscape Architects. The reproduction, copying or use of this drawing without written consent is prohibited and any infringement will be subject to legal action.

Project #:

ST. JOHN
THE
EVANGELIST

14 JANUARY 2021

100% PRICING SET - NOT
FOR CONSTRUCTION

No.	Date	Description

Drawn By: JJ Proj. Manager: FAM
Approved By: KC

Scale: AS SHOWN

DECKING &
FRAMING PLAN

LS501